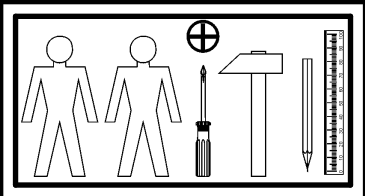
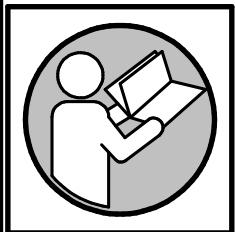
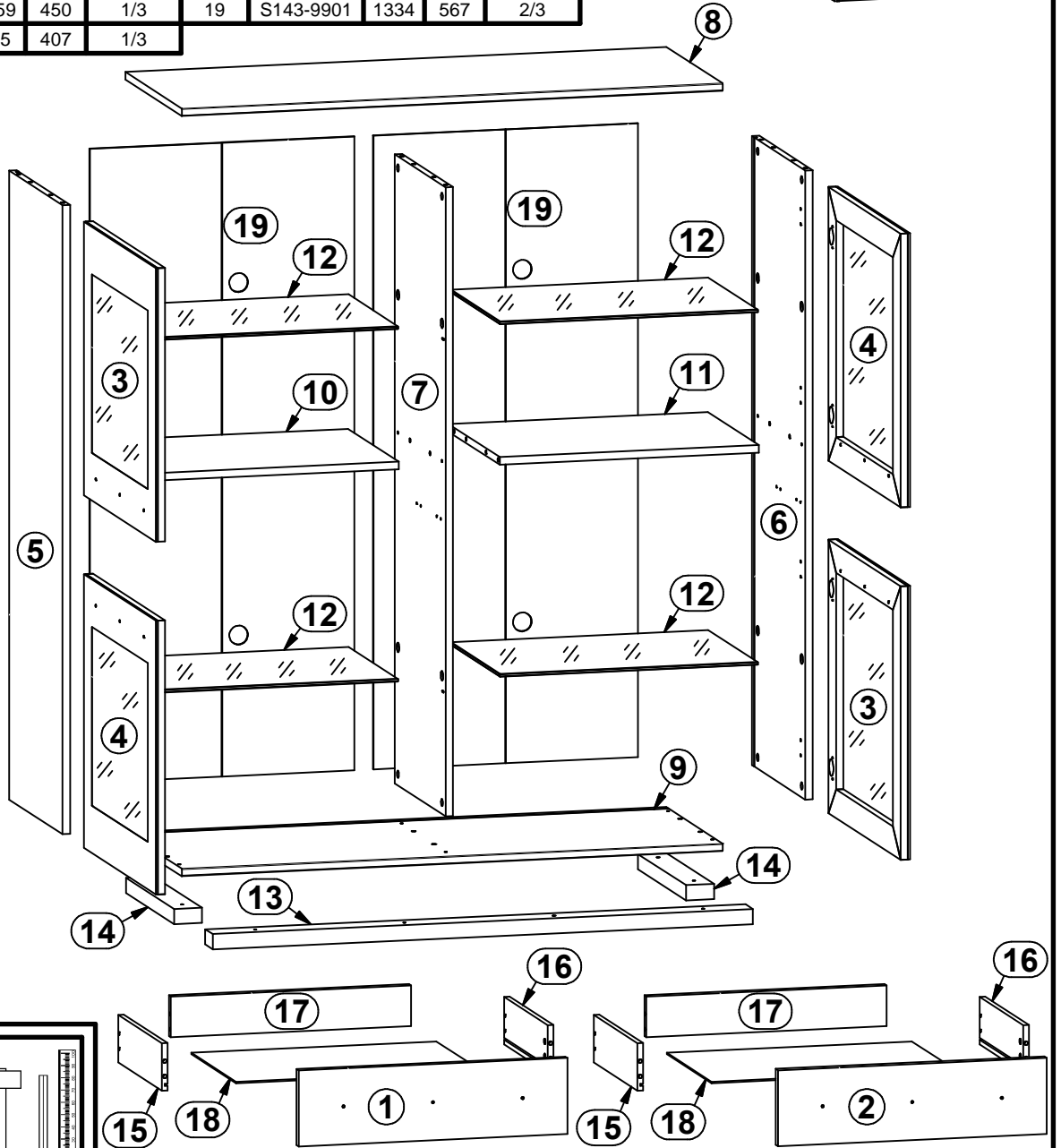
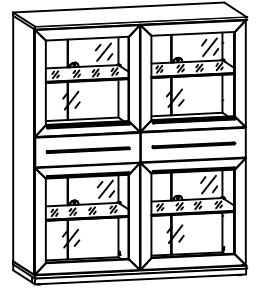
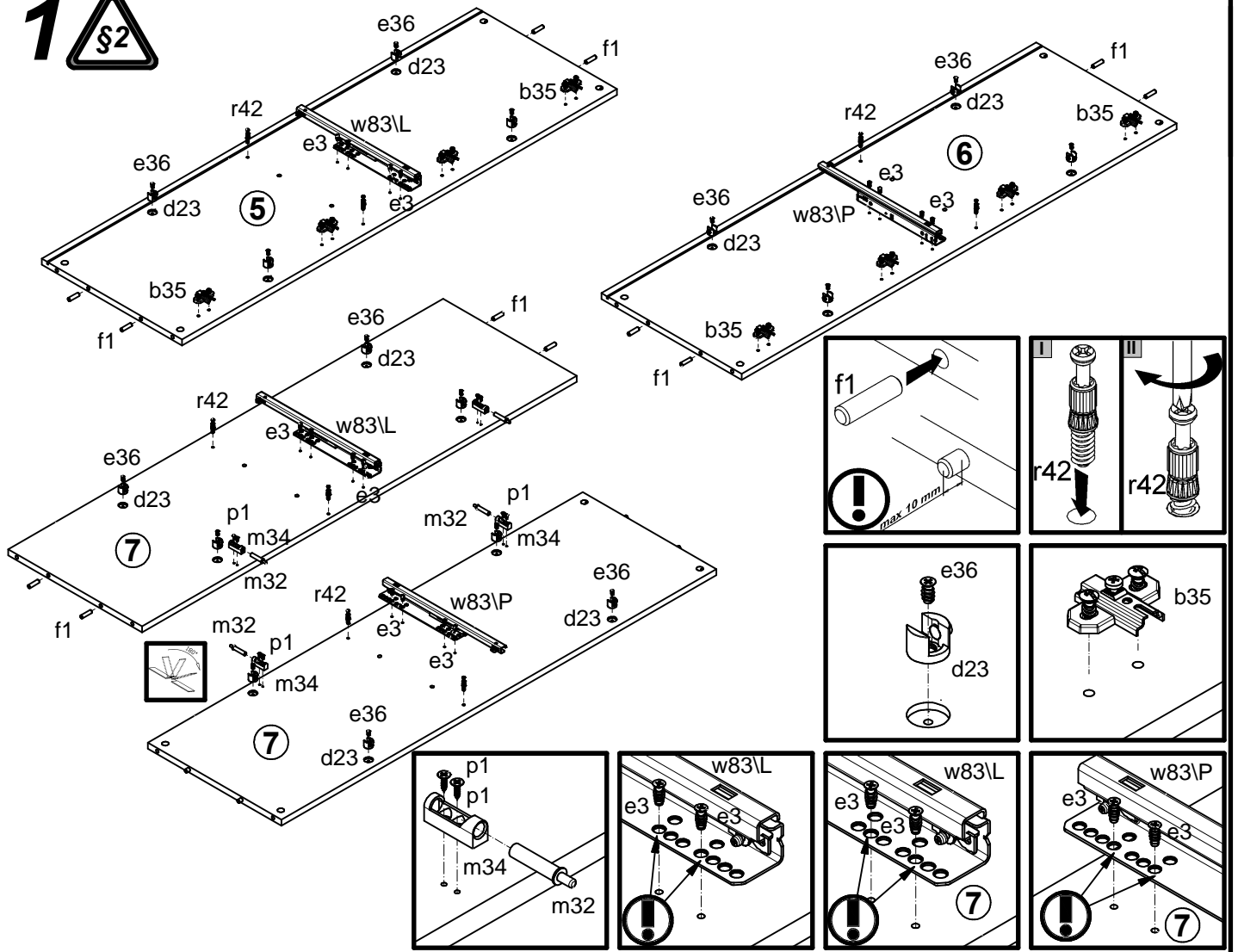


A	B	C	D	A	B	C	D		
1	S143-001	576	160	3/3	11	S143-302	555	407	1/3
2	S143-002	576	160	3/3	12	S143-303	553	395	1/3
3	S143-003	576	576	3/3	13	S143-401	1158	60	1/3
4	S143-004	576	576	3/3	14	S143-402	385	60	1/3
5	S143-101	1324	427	2/3	15	S143-501	350	100	1/3
6	S143-102	1324	427	2/3	16	S143-502	350	100	1/3
7	S143-103	1324	407	2/3	17	S143-503	515	86	1/3
8	S143-201	1159	450	1/3	18	S143-901	525	358	1/3
9	S143-202	1159	450	1/3	19	S143-9901	1334	567	2/3
10	S143-301	555	407	1/3					



8x a44	8x b35	6x c223\8 446 mm	16x d23	16x e3 φ6x13 mm	16x e36 φ6.0x11 mm	20x f1 φ8x30 mm	8x f25 φ6.5x40 mm	5x k1
40x l1	16x l2	4x m32	4x m34	4x o21 silikon	8x p1 φ3.5x13 mm	8x p11 φ4x45 mm	6x p114	12x p122 φ3x30 mm
2x p25 φ3.5x16 mm	2x p35 φ3.5x10 mm	8x p38 φ3.5x16 mm	16x p51 φ3.5x15 mm	20x r1 φ1.5x12mm #16	8x r15 φ12x10.5mm #12	28x r42	12x s2 ø16	4x s53
2x t35 350 mm	2x w83\L 350 mm	2x w83\P 350 mm	1x n26\1	1x p38 φ3.5x16 mm				

1



2

